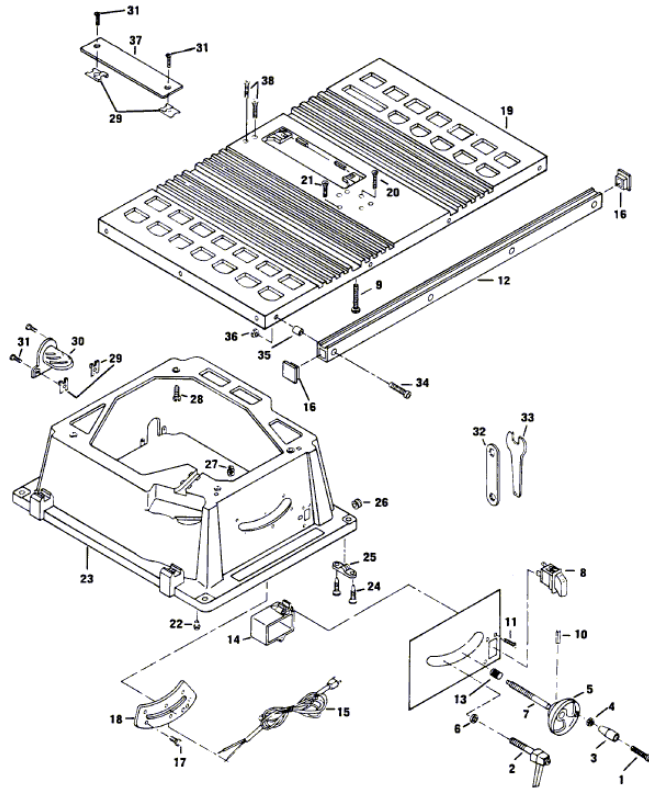




F 012 340 00A SAW TABLE 3400

21.09.2006
00:05:31

F012340098
Stand }
Issue } 00-05-22 **Fig./Abb. 1**



Änderungen vorbehalten
Modifications reserved
Modificacions reservadas
Salvo modificaciones

Item	Quantity	Order No.	Designation	Price group	Page
1	1	2 610 358 839	SCREW		1
2	1	2 610 358 834	LOCKING PIECE		1
3	1	2 610 358 838	KNOB		1
4	1	2 610 044 563	NUT		1
5	1	2 610 358 835	LEVER		1
6	1	2 610 358 833	WASHER		1
7	1	2 610 358 836	STUD BOLT		1
8	1	2 610 358 111	ON-OFF SWITCH		1
9	1	2 610 903 743	SCREW		1
10	1	2 610 358 837	BOLT		1
11	3	2 610 358 844	SCREW		1
12	1	2 610 358 902	GUIDE		1
13	1	2 610 903 733	SPRING		1
14	1	2 610 905 925	COVER		1
15	1	2 610 909 430	MAINS CONNECTION CABLE		1
16	1	2 610 358 903	COVER		1
17	6	2 610 358 832	SCREW		1
18	1	2 610 358 831	CLAMPING PLATE		1
19	1	2 610 905 907	TABLE		1
20	1	2 610 358 827	SCREW		1
21	1	2 610 358 828	SCREW		1
22	4	2 610 358 846	RUBBER BUSHING		1
23	1	2 610 358 829	BASE		1
24	2	2 610 358 841	HEXAGON SCREW		1
25	1	2 610 358 842	CABLE CLIP		1
26	1	2 610 358 840	GROMMET		1
27	2	2 610 358 847	CLAMP		1
28	4	2 610 358 830	HEXAGON SCREW		1
29	1	2 610 358 824	NUT		1
30	1	2 610 358 883	DUST PROTECTION		1
31	1	2 610 358 823	SCREW		1
32	1	2 610 996 880	KEY		1
33	1	2 610 358 853	SINGLE-HEAD ENG. WRENCH		1
34	4	2 610 905 909	SCREW		1
35	4	2 610 358 904	SPACER		1
36	4	2 610 358 876	NUT		1
37	1	2 610 358 822	INSERT		1
38	6	2 610 358 826	RECESSED-HEAD SCREW		1
45	1	2 610 358 934	GROMMET		2
46	1	2 610 905 901	MAINS CONNECTION CABLE		2
47	1	2 610 358 932	CONNECTOR		2
48	1	2 610 358 849	WASHER		2
49	1	2 610 358 920	SCREW		2
50	1	2 610 358 935	HOUSING		2
51	1	2 610 358 937	RUBBER BUFFER		2
52	1	2 610 909 439	CARBON-BRUSH SET		2
53	1	2 610 358 914	SHAFT		2
54	2	2 610 351 107	NUT		2
55	1	2 610 358 928	SCREW		2
56	1	2 610 358 924	MOTOR HOUSING		2
57	1	2 610 358 927	WASHER		2

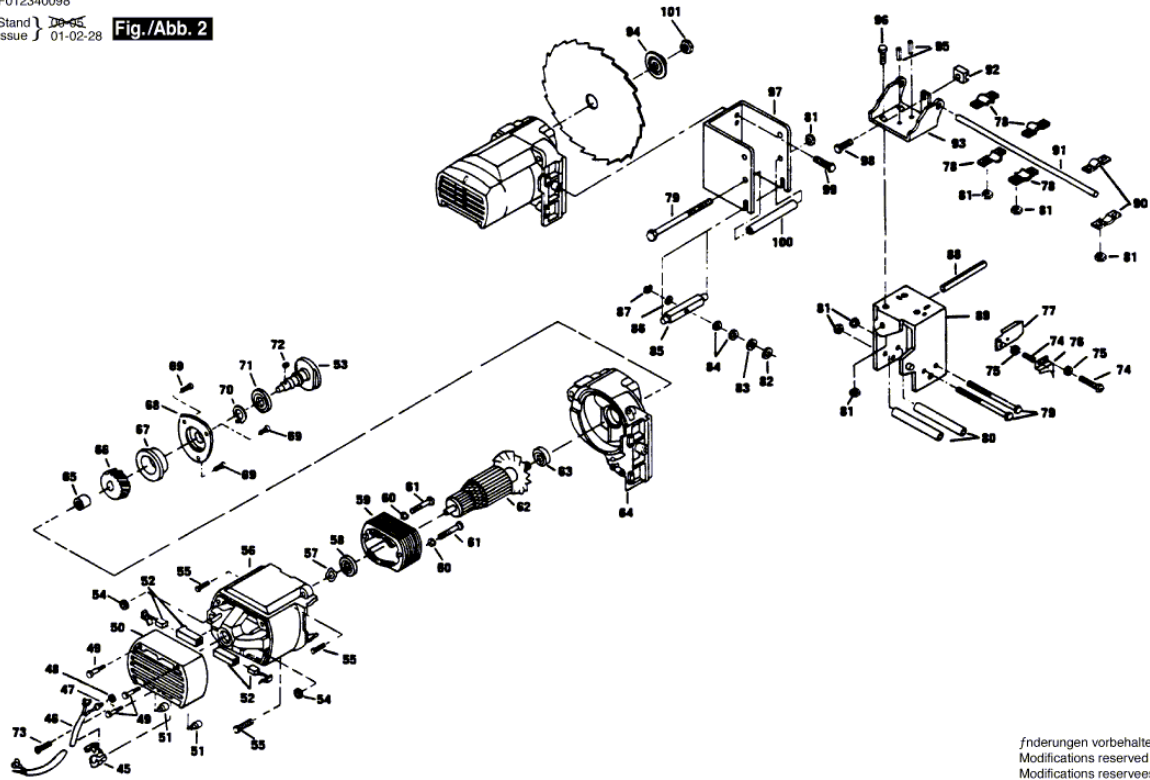
58	1	2 610 015 747	DEEP-GROOVE BALL BEARING	2
59	1	2 610 909 424	FIELD \ 120V	2
60	1	2 610 358 936	WASHER	2
61	2	2 610 358 926	BOLT	2
62	1	2 610 905 924	ARMATURE \ 120V	2
63	1	2 610 904 744	DEEP-GROOVE BALL BEARING	2
64	1	2 610 908 280	GEAR HOUSING	2
65	1	2 610 358 922	NEEDLE-ROLLER BEARING	2
66	1	2 610 358 919	GEAR	2
67	1	2 610 358 918	BEARING HOUSING	2
68	1	2 610 358 917	BEARING HOUSING	2
69	1	2 610 358 920	SCREW	2
70	1	2 610 358 916	C-CLIP	2
71	1	2 610 015 361	DEEP-GROOVE BALL BEARING	2
72	1	2 610 358 915	KEY	2
73	1	2 610 358 933	SCREW	2
74	3	2 610 306 005	RECESSED-HEAD SCREW	2
75	3	2 610 026 248	WASHER	2
76	1	2 610 358 881	POINTER	2
77	1	2 610 358 880	DEFLECTOR	2
78	4	2 610 903 744	STRAP	2
79	1	2 610 358 861	HEXAGON SCREW	2
80	1	2 610 358 862	SPACER	2
81	12	2 610 358 876	NUT	2
82	1	2 610 358 879	WASHER	2
83	1	2 610 358 878	WASHER	2
84	1	2 610 358 877	HEXAGON NUT	2
85	1	2 610 358 874	PIVOT PIN	2
86	1	2 610 901 978	SPACER	2
87	1	2 610 358 869	RETAINING RING	2
88	1	2 610 358 868	SPRING PIN	2
89	1	2 610 905 905	MOUNTING PIECE	2
90	2	2 610 358 867	STRAP	2
91	1	2 610 905 903	ROD	2
92	1	2 610 358 865	BLOCK	2
93	1	2 610 905 904	BRACKET HOLDER	2
94	1	2 610 358 857	WASHER	2
95	1	2 610 358 882	BOLT	2
96	3	2 610 905 908	RECESSED-HEAD SCREW	2
97	1	2 610 905 906	BRACKET HOLDER	2
98	1	2 610 358 863	HEXAGON SCREW	2
99	3	2 610 358 860	HEXAGON SCREW	2
100	1	2 610 905 928	SPACER	2
101	1	2 610 358 858	NUT	2
104	1	2 610 358 803	SPACER	3
105	1	2 610 358 812	BOLT	3
106	2	2 610 358 819	SCREW	3
107	4	2 610 358 802	WASHER	3
108	1	2 610 910 015	BOLT	3
109	1	2 610 910 012	BRACKET HOLDER	3
110	1	2 610 358 801	WASHER	3
111	1	2 610 358 816	BLOCK	3

112	1	2 610 358 800	PIVOTING BLADE GUARD	3
113	1	2 610 910 013	WASHER	3
114	1	2 610 703 214	SCREW	3
115	1	2 610 358 811	PIN	3
116	1	2 610 358 807	NUT	3
117	1	2 610 358 808	HOLDING PLATE	3
118	1	2 610 358 809	SPACER	3
119	1	2 610 358 814	PLATE	3
120	1	2 610 355 325	SPRING WASHER	3
121	1	2 610 358 821	WING NUT	3
122	1	2 610 358 813	NUT	3
123	1	2 610 358 810	SPRING	3
124	1	2 610 702 414	SCREW	3
125	1	2 610 358 806	PIVOT PIN	3
126	1	2 610 905 900	BRACKET HOLDER	3
127	1	2 610 358 804	RUBBER BACKING PAD	3
128	1	2 610 304 772	HEXAGON NUT	3
129	1	2 610 358 906	KNOB	3
130	1	2 610 358 907	WASHER	3
131	1	2 610 358 910	GEAR HOUSING	3
132	1	2 610 358 911	PIN	3
133	1	2 610 358 913	SLIDING PIECE	3
134	3	2 610 358 832	SCREW	3
135	1	2 610 990 547	SLOTTED PAN-HEAD SCREW	3
136	1	2 610 358 909	SCALE	3
137	1	2 610 358 905	BEARING	3
138	1	2 610 358 912	GUIDE	3
139	1	2 610 358 889	HOUSING	3
140	1	2 610 358 884	ROD	3
141	1	2 610 358 885	CLAMP	3
142	1	2 610 358 886	SPRING	3
143	1	2 610 358 887	SLIDING PIECE	3
144	1	2 610 358 888	HOUSING	3
145	2	2 610 358 802	WASHER	3
146	2	2 610 358 819	SCREW	3
147	1	2 610 358 900	POINTER	3
148	1	2 610 358 901	SCREW	3
149	1	2 610 358 899	SPRING	3
150	1	2 610 358 898	SCREW	3
151	1	2 610 358 895	BOLT	3
152	1	2 610 358 896	PIN	3
153	1	2 610 358 897	HANDLE	3
154	1	2 610 044 563	NUT	3
155	1	2 610 358 894	BOLT	3
156	1	2 610 910 017	CLAMPING PIECE	3
157	1	2 610 358 890	LEVER	3
158	1	2 610 358 891	CLAMP	3
159	2	2 610 358 892	COVER	3

F012340098

Stand | 2005
Issue | 01-02-28

Fig./Abb. 2

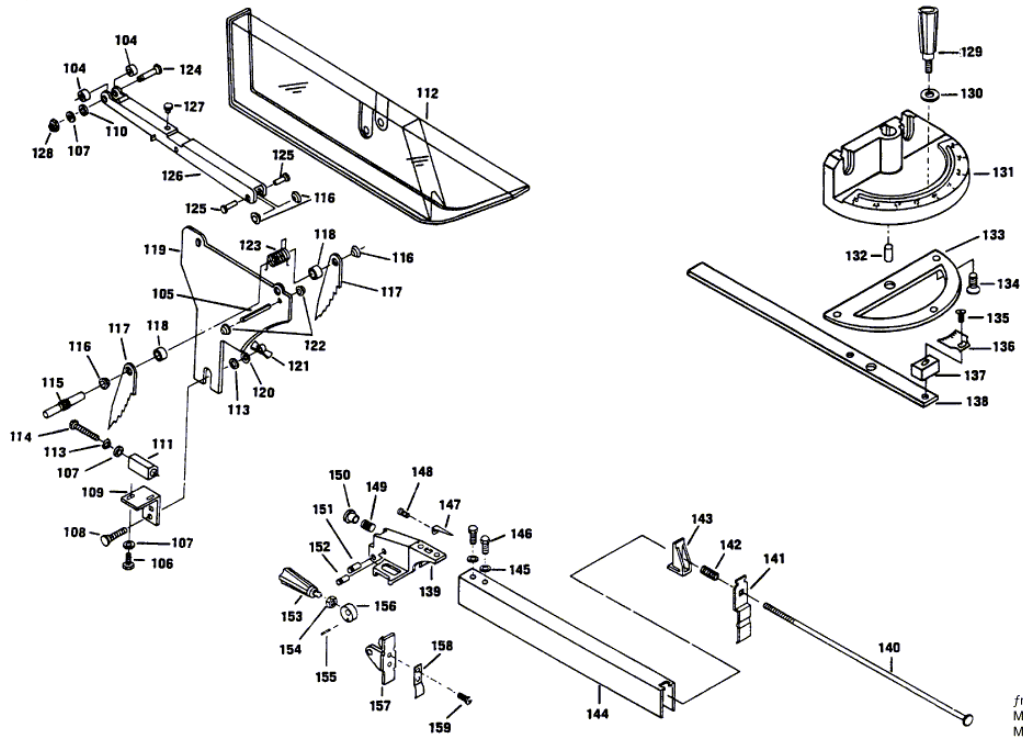


Änderungen vorbehalten
Modifications reserved
Modificaciones reservadas
Salvo modificaciones

F012340098

Stand Issue 00-05-22

Fig./Abb. 3



Änderungen vorbehalten
Modifications reserved
Modificaciones reservadas
Salvo modificaciones

